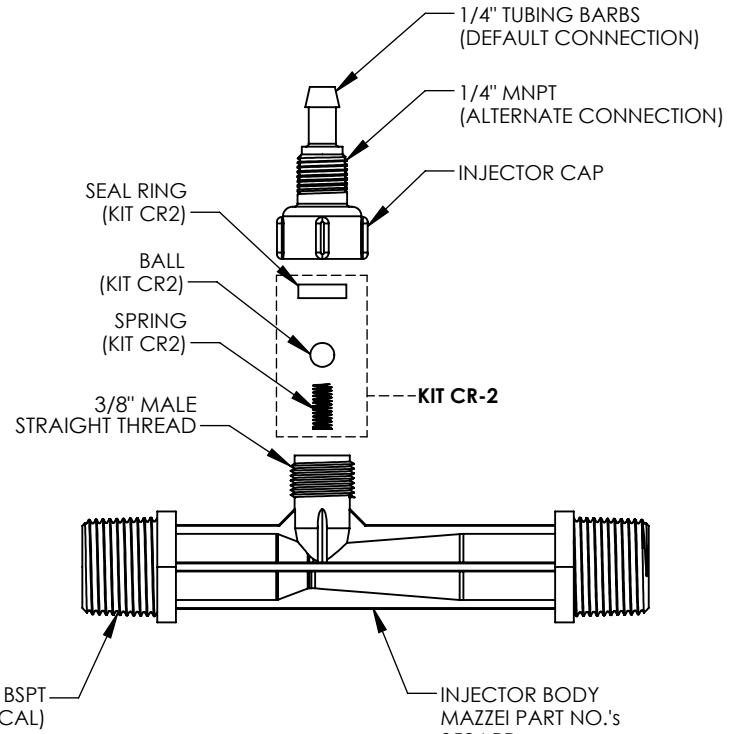


NOTES:

1. MADE IN THE U.S.A.
2. U.S. PATENT No. 5,863,128
3. U.S. No. 3,852,076 AND INTERNATIONAL REGISTERED TRADEMARKS
4. MATERIAL: GLASS FILLED POLYPROPYLENE (PP) OR POLYVINYLIDENE FLUORIDE (PVDF) OR NATURAL POLYVINYLIDENE FLUORIDE (N-PVDF).
5. INLET/OUTLET CONNECTION:
3/4" MNPT OR BSPT
6. SUCTION PORT CONNECTION:

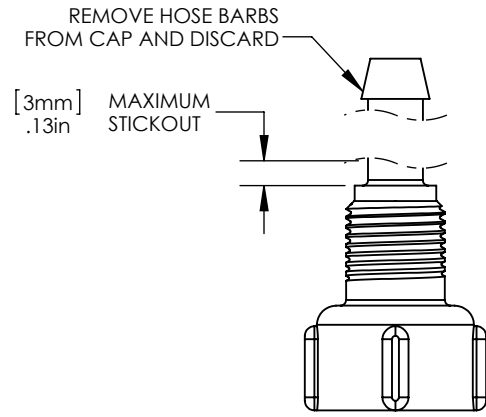
DEFAULT - 1/4" I.D. TUBING BARB WITH INTEGRATED CHECK VALVE

ALTERNATE - 1/4" MNPT - SEE ALTERNATE CAP MODIFICATION DETAIL
7. FOR INSTALLATION RECOMMENDATIONS REFER TO MAZZEI TECHNICAL BULLETINS No. 4, No. 5, No. 6, No. 10 AND No. 11, WHICH CAN BE FOUND AT WWW.MAZZEI.NET.
8. MAZZEI INJECTOR CO., LLC.
500 ROOSTER DR.
BAKERSFIELD, CA 93307
TEL: 661.363.6500
WEB: WWW.MAZZEI.NET



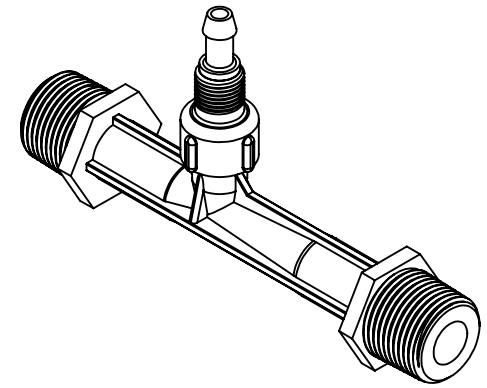
INJECTOR BODY
MAZZEI PART NO.'s
0584 PP
0584 PVDF
0584 N-PVDF
ISO 0584 GRPP
ISO 0584 PVDF

KIT CR-2	
TITLE	MATERIAL
BALL	TEFLON @ (PTFE)
SEAL RING	KEL-F @ (PCTFE)
SPRING	HASTELLOY C-22

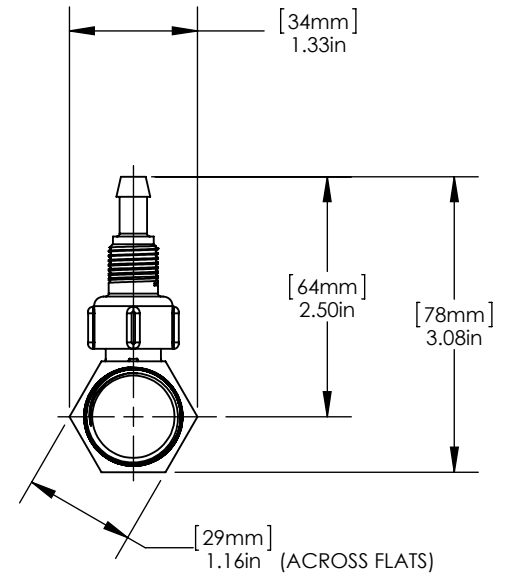
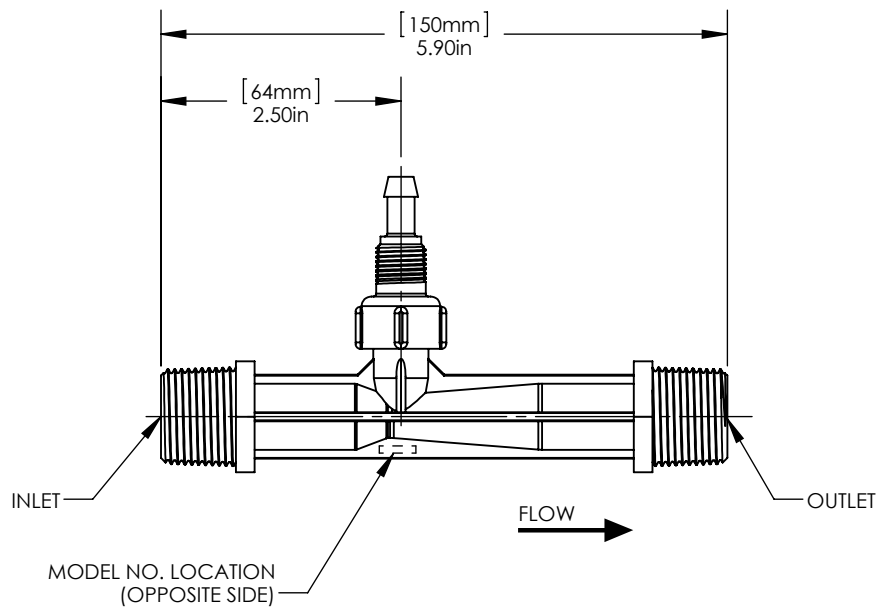


"CAP MODIFICATION DETAIL"
(ALTERNATE)

UNLESS OTHERWISE SPECIFIED DIMENSIONS ARE IN INCHES			TITLE: 3/4" INJECTOR; MODEL 0584			
DRAWN:	G. NOVINS		DRAWING NO.: 0584			
DATE:	7/17/2014	SIZE:	WEIGHT:	SCALE:	REV.:	SHEET:
APPROVED:	T. JOHNS	A	N/A	1:2	A	1 OF 2



(ISOMETRIC VIEW)
(FOR REFERENCE ONLY)



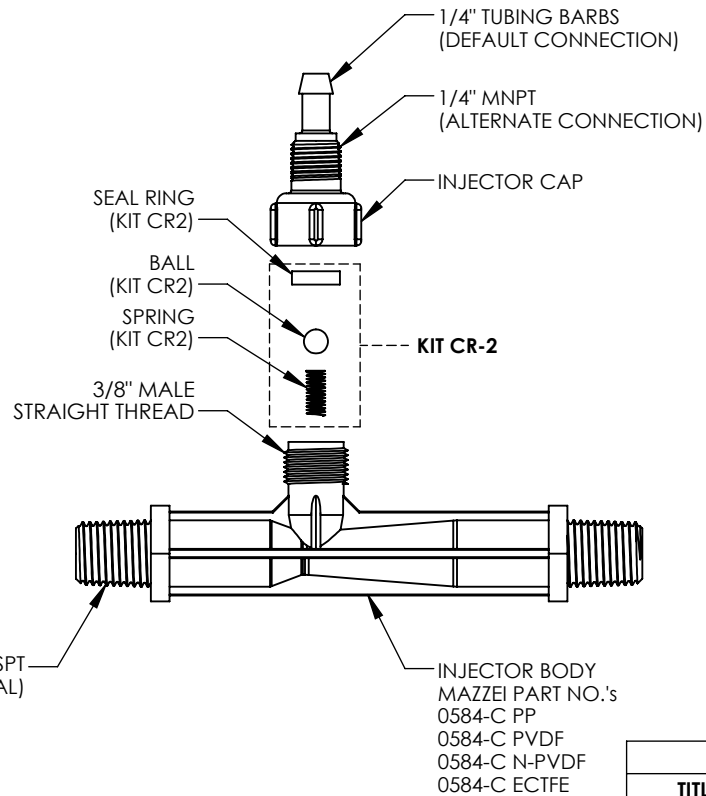
UNLESS OTHERWISE SPECIFIED DIMENSIONS ARE IN INCHES			TITLE: 3/4" INJECTOR; MODEL 0584		
DRAWN: G. NOVINS	DATE: 7/17/2014		DRAWING NO.: 0584		
APPROVED: T. JOHNS	SIZE: A	WEIGHT: N/A	SCALE: 1:2	REV.: A	SHEET: 2 OF 2

NOTES:

1. MADE IN THE U.S.A.
2. U.S. PATENT No. 5,863,128
3. U.S. No. 3,852,076 AND INTERNATIONAL REGISTERED TRADEMARKS
4. MATERIAL: GLASS FILLED POLYPROPYLENE (PP) OR POLYVINYLIDENE FLUORIDE (PVDF) OR NATURAL POLYVINYLIDENE FLUORIDE (N-PVDF) OR ETHYLENE CHLOROTRIFLUORETHYLENE (ECTFE).
5. INLET/OUTLET CONNECTION:
1/2" MNPT
6. SUCTION PORT CONNECTION:

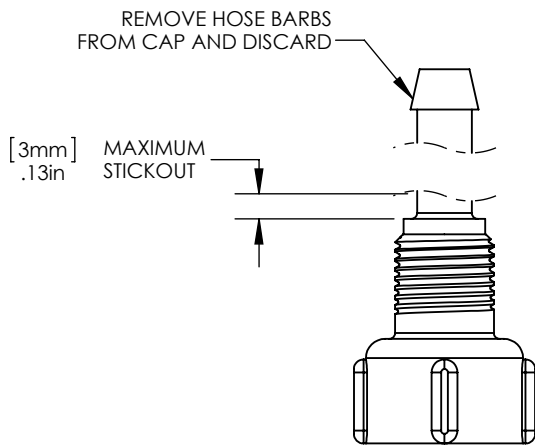
DEFAULT - 1/4" I.D. TUBING BARB WITH INTEGRATED CHECK VALVE

ALTERNATE - 1/4" MNPT - SEE ALTERNATE CAP MODIFICATION DETAIL
7. FOR INSTALLATION RECOMMENDATIONS REFER TO MAZZEI TECHNICAL BULLETINS No. 4, No. 5, No. 6, No. 10 AND No. 11, WHICH CAN BE FOUND AT WWW.MAZZEI.NET.
8. MAZZEI INJECTOR CO., LLC.
500 ROOSTER DR.
BAKERSFIELD, CA 93307
TEL: 661.363.6500
WEB: WWW.MAZZEI.NET



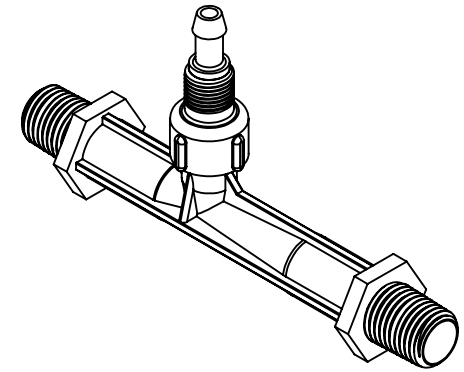
INJECTOR BODY
MAZZEI PART NO.'s
0584-C PP
0584-C PVDF
0584-C N-PVDF
0584-C ECTFE

KIT CR-2	
TITLE	MATERIAL
BALL	TEFLON @ (PTFE)
SEAL RING	KEL-F @ (PCTFE)
SPRING	HASTELLOY C-22

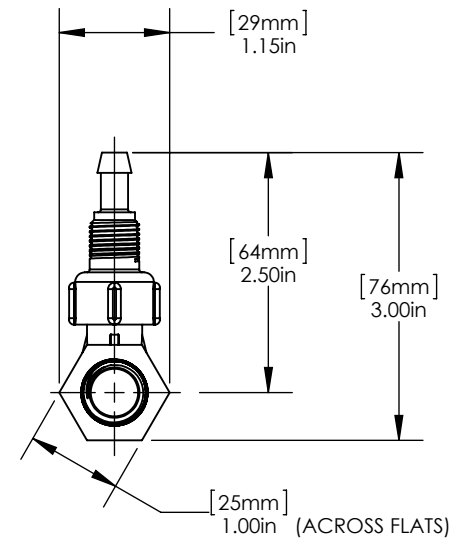
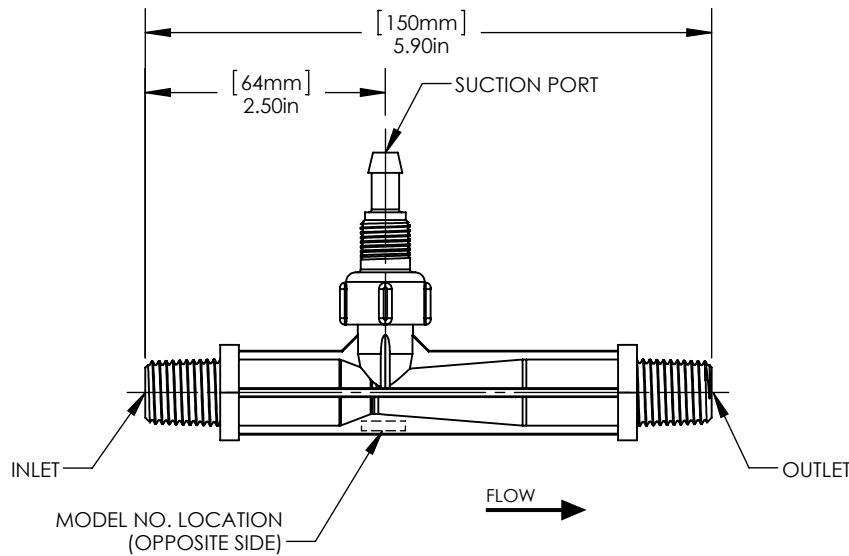


"CAP MODIFICATION DETAIL"
(ALTERNATE)

UNLESS OTHERWISE SPECIFIED DIMENSIONS ARE IN INCHES			TITLE: 1/2" INJECTOR; MODEL 0584-C		
DRAWN:	G. NOVINS		DRAWING NO.: 0584-C		
DATE:	7/17/2014	SIZE:	WEIGHT:	SCALE:	REV.:
APPROVED:	T. JOHNS	A	N/A	1:2	A
					SHEET: 1 OF 2



(ISOMETRIC VIEW)
(FOR REFERENCE ONLY)



UNLESS OTHERWISE SPECIFIED DIMENSIONS ARE IN INCHES			TITLE: 1/2" INJECTOR; MODEL 0584-C		
DRAWN: G. NOVINS	DATE: 7/17/2014		DRAWING NO.: 0584-C		
APPROVED: T. JOHNS	SIZE: A	WEIGHT: N/A	SCALE: 1:2	REV.: A	SHEET: 2 OF 2



Operating Pressure PSIG		WATER SUCTION		Operating Pressure PSIG		WATER SUCTION	
Injector INLET	Injector OUTLET	Motive Flow GPM	Water Suction GPH	Injector INLET	Injector OUTLET	Motive Flow GPM	Water Suction GPH
5	0	2.1	29.1	60	0	7.2	26.4
	1		28.9		5		26.4
	2		28.4		10		26.3
	3		25.3		15		26.3
	4		9.9		20		26.2
10	0	3.0	28.2		30		25.3
	2		28.1		35		23.8
	5		27.4		40		20.0
	7		13.2		45		14.4
	8		10.9				
15	0	3.6	28.1	70	0	7.8	25.8
	5		27.9		5		25.8
	7		28.0		10		25.9
	10		13.9		15		25.9
	12		11.0		20		25.8
20	0	4.2	24.8		30		25.6
	5		24.8		40		25.6
	10		23.7		45		23.3
	12		19.1		50		16.7
	15		14.5		55		9.0
25	0	4.7	25.1	80	0	8.4	26.2
	5		25.2		5		26.2
	10		25.1		10		26.2
	15		20.8		15		26.2
	20		12.1		20		26.3
30	0	5.1	25.3		30		26.2
	5		25.3		40		26.3
	10		24.9		50		25.0
	15		25.1		60		17.1
	20		18.2		65		7.8
35	0	5.5	25.5	90	0	8.9	27.0
	5		25.5		5		27.0
	10		25.4		10		27.0
	15		25.2		20		27.4
	20		21.9		30		27.2
40	0	5.9	25.6		40		27.2
	5		25.5		50		27.2
	10		25.6		60		24.4
	15		25.5		70		13.2
	20		25.2		75		5.2
45	0	6.3	25.8	100	0	9.3	28.7
	5		25.9		5		28.7
	10		25.9		10		28.7
	15		25.8		20		29.2
	20		25.7		30		29.0
50	25	6.6	23.5		40		28.8
	30		19.4		50		28.8
	35		13.5		60		28.4
					70		23.3
					80		16.8
60	0	7.2	26.4	120	0	10.2	32.1
	5		32.1				
	10		32.1				
	20		32.1				
	30		32.1				
	40		31.8				
	50		31.8				
	60		31.6				
	70		31.6				
	80		28.6				
90	17.1						
100							

Injector Performance Table
 Water Suction Capacity

Model 584

Copyright© 2014 REV August 2014

Mazzei Injector Company, LLC
 500 Rooster Drive, Bakersfield, CA 93307-9555 USA

TEL 661.363.6500 • FAX 661.363.7500 • www.mazzei.net

**NUMBERS IN PARENTHESIS indicate the injector outlet pressure when suction stops (Zero Suction Point).*



Operating Pressure kg/cm ²		WATER SUCTION		Operating Pressure kg/cm ²		WATER SUCTION	
Injector Inlet	Injector Outlet	Motive Flow l/min	Water Suction l/hr	Injector Inlet	Injector Outlet	Motive Flow l/min	Water Suction l/hr
0.35	0.00	7.9	110	4.22	0.00	27.4	100
	0.07		109		0.35		100
	0.14		107		0.70		99.9
	0.21		96.0		1.05		99.9
	0.28		37.8		1.41		99.1
0.70	0.00	11.2	107		2.11		96.0
	0.14		106		2.46		90.2
	0.35		103		2.81		76.0
	0.49		50.2		3.16		54.5
	0.56		41.6		4.92		0.00
1.05	0.00	13.7	106	0.35		97.9	
	0.35		105	0.70		98.1	
	0.49		106	1.05		98.1	
	0.70		52.9	1.41		97.8	
1.41	0.84	15.8	41.8	2.11		97.2	
	0.00		93.9	2.81		96.9	
	0.35		94.0	3.16		88.4	
	0.70		89.7	3.52		63.3	
	0.84		72.5	3.87		34.3	
1.76	1.05	17.7	55.2	5.62	0.00	31.6	99.1
	0.00		95.3		0.35		99.1
	0.35		95.4		0.70		99.1
	0.70		95.1		1.05		99.1
	1.05		78.8		1.41		99.5
2.11	1.41	19.4	46.1		2.11		99.3
	0.00		95.8		2.81		99.6
	0.35		96.0		3.52		94.7
	0.70		94.4		4.22		64.9
	1.05		95.3		4.57		29.7
2.46	1.41	20.9	69.0	6.33	0.00	33.6	102
	1.76		43.7		0.35		102
	0.00		96.6		0.70		102
	0.35		96.6		1.41		103
	0.70		96.2		2.11		103
2.81	1.05	22.4	95.6		2.81		103
	1.41		83.0		3.52		103
	1.76		62.4		4.22		92.3
	0.00		97.0		4.92		50.1
	0.35		96.8		5.27		19.8
3.16	0.70	23.7	96.9	7.03	0.00	35.4	108
	1.05		96.5		0.35		108
	1.41		95.5		0.70		108
	1.76		80.7		1.41		110
	2.11		56.9		2.11		109
3.52	0.00	25.0	98.0		2.81		109
	0.35		98.3		3.52		109
	0.70		98.2		4.22		107
	1.05		97.9		4.92		88.3
	1.41		97.4		5.62		63.8
3.52	1.76	25.0	89.3	8.44	0.00	38.7	121
	2.11		73.4		0.35		121
	2.46		51.2		0.70		121
	2.81		10.7		1.41		121
	0.00		96.8		2.11		121
	0.35		96.8		2.81		120
	0.70		96.8		3.52		120
	1.05		96.6		4.22		119
	1.41		96.2		4.92		119
	1.76		92.5		5.62		108
2.11	81.6	6.33	65.0				
2.46	59.6	7.03					
2.81	10.7						

Copyright© 2014 REV August 2014

Mazzei Injector Company, LLC
 500 Rooster Drive, Bakersfield, CA 93307-9555 USA

TEL 661.363.6500 • FAX 661.363.7500 • www.mazzei.net

**NUMBERS IN PARENTHESIS indicate the injector outlet pressure when suction stops (Zero Suction Point).*



Injector Performance Table
Air Suction Capacity

Operating Pressure PSIG		AIR SUCTION		Operating Pressure PSIG		AIR SUCTION		
Injector INLET	Injector OUTLET	Motive Flow GPM	Air Suction SCFH	Injector INLET	Injector OUTLET	Motive Flow GPM	Air Suction SCFH	
5	0	2.0	8.8	60	0	6.9	36.2	
	1		3.2		5		26.7	
	2		1.2		10		21.0	
	3		0.73		15		13.6	
	4		*(4.4)		0.31		20	10.0
10	0	2.8	14.6		30		5.7	
	2		5.9		35		4.3	
	5		1.7		40		2.8	
	7		0.77		45		*(53.5)	2.0
	8		*(9.0)		0.50		70	0
15	0	3.5	17.4	5	28.8			
	5		4.6	10	23.6			
	7		2.7	15	17.2			
	10		0.98	20	12.8			
	12		*(13.5)	0.49	30	8.0		
20	0	4.0	20.5	40	4.6			
	5		8.2	45	3.8			
	10		2.9	50	2.7			
	12		1.7	55	*(63.0)	1.7		
	15		*(18.0)	0.88	80	0	8.0	38.0
25	0	4.5	23.1	5		31.0		
	5		10.5	10		26.2		
	10		4.8	15		21.9		
	15		1.9	20		16.0		
	20		*(22.0)	0.74		30		10.4
30	0	4.9	26.1	40		7.1		
	5		13.6	50		4.6		
	10		6.7	60		2.6		
	15		3.3	65		*(72.5)		1.7
	20		1.8	90	0	8.5	38.5	
25	*(27.0)	0.64	5		32.7			
35	0	5.3	28.4		10		28.9	
	5		18.5		20		19.7	
	10		9.3		30		12.9	
	15		5.2		40		8.8	
	20		2.7		50		5.8	
25	*(31.5)	1.7	60		3.8			
40	0	5.7	30.7		70		2.2	
	5		19.4		75		*(80.5)	1.7
	10		10.9	100	0	9.0	39.2	
	15		6.9		5		35.2	
	20		4.2		10		30.3	
25	2.7	20	23.1					
30	*(35.5)	1.5	30		14.4			
45	0	6.0	31.6		40		11.0	
	5		21.5		50		7.6	
	10		12.6		60		5.2	
	15		9.4		70		3.3	
	20		5.8		80		*(90.0)	2.0
	25		3.9	120	0	9.8	40.3	
	30		2.5		5		38.4	
35	*(40.0)	1.4	10		33.5			
50	0	6.3	33.1		20		27.5	
	5		22.5		30		18.5	
	10		16.0		40		13.9	
	15		10.3		50		10.8	
	20		7.6		60		7.6	
	25		5.0		70		6.2	
	30		3.5		80		4.3	
	35		2.2	90	3.1			
40	*(45.0)	1.3	100	*(107)	1.8			

Copyright© 2014 REV August 2014

Mazzei Injector Company, LLC
 500 Rooster Drive, Bakersfield, CA 93307-9555 USA

TEL 661.363.6500 • FAX 661.363.7500 • www.mazzei.net

**NUMBERS IN PARENTHESIS indicate the injector outlet pressure when suction stops (Zero Suction Point).*

Model 584



Operating Pressure kg/cm ²		AIR SUCTION		Operating Pressure kg/cm ²		AIR SUCTION	
Injector INLET	Injector OUTLET	Motive Flow l/min	Air Suction l/min	Injector INLET	Injector OUTLET	Motive Flow l/min	Air Suction l/min
0.35	0.00	7.6	4.1	4.22	0.00	26.3	17.1
	0.07		1.5		0.35		12.6
	0.14		0.60		0.70		9.9
	0.21		0.34		1.05		6.4
	0.28		0.14		1.41		4.7
0.00	*(0.31)	6.8	2.11		2.6		
0.70	0.14	10.7	2.7		2.46		2.0
	0.35		0.81		2.81		1.3
	0.49		0.36		3.16		0.96
	0.56		0.23		0.00		17.2
	0.00		*(0.63)	8.2	0.35	13.5	
1.05	0.35	13.1	2.1	0.70	11.1		
	0.49		1.2	1.05	8.1		
	0.70		0.46	1.41	6.0		
	0.84		0.23	2.11	3.8		
	0.00		*(0.95)	9.7	2.81	2.2	
1.41	0.35	15.2	3.8	3.16	1.8		
	0.70		1.3	3.52	1.2		
	0.84		0.82	3.87	0.82		
	1.05		0.41	0.00	17.9		
	0.00		*(1.27)	10.9	0.35	14.6	
1.76	0.35	17.0	4.9	0.70	12.3		
	0.70		2.2	1.05	10.3		
	1.05		0.94	1.41	7.5		
	1.41		0.35	2.11	4.9		
	0.00		*(1.55)	12.3	2.81	3.3	
2.11	0.35	18.6	6.4	3.52	2.1		
	0.70		3.1	4.22	1.2		
	1.05		1.5	4.57	0.83		
	1.41		0.86	0.00	18.2		
	1.76		0.30	0.35	15.4		
	0.00		*(1.90)	13.4	0.70	13.6	
2.46	0.35	20.1	8.7	1.41	9.3		
	0.70		4.4	2.11	6.1		
	1.05		2.4	2.81	4.1		
	1.41		1.3	3.52	2.7		
	1.76		0.81	4.22	1.8		
	0.00		*(2.22)	14.5	4.92	1.0	
2.81	0.35	21.4	9.2	5.27	0.84		
	0.70		5.1	0.00	18.5		
	1.05		3.2	0.35	16.6		
	1.41		1.9	0.70	14.3		
	1.76		1.2	1.41	10.9		
	2.11		0.72	2.11	6.8		
3.16	0.00	22.7	14.9	2.81	5.1		
	0.35		10.1	3.52	3.6		
	0.70		5.9	4.22	2.4		
	1.05		4.4	4.92	1.6		
	1.41		2.7	5.62	0.96		
	1.76		1.8	0.00	19.0		
	2.11		1.2	0.35	18.1		
	2.46		0.66	0.70	15.8		
3.52	0.00	24.0	15.6	1.41	13.0		
	0.35		10.6	2.11	8.7		
	0.70		7.5	2.81	6.5		
	1.05		4.8	3.52	5.1		
	1.41		3.6	4.22	3.6		
	1.76		2.3	4.92	2.9		
	2.11		1.6	5.62	2.0		
	2.46		1.0	6.33	1.4		
	2.81		0.64	7.03	0.87		
	0.00		*(3.16)	0.00	7.03	0.87	

Copyright© 2014 REV August 2014

Mazzei Injector Company, LLC
 500 Rooster Drive, Bakersfield, CA 93307-9555 USA

TEL 661.363.6500 • FAX 661.363.7500 • www.mazzei.net

**NUMBERS IN PARENTHESIS indicate the injector outlet pressure when suction stops (Zero Suction Point).*